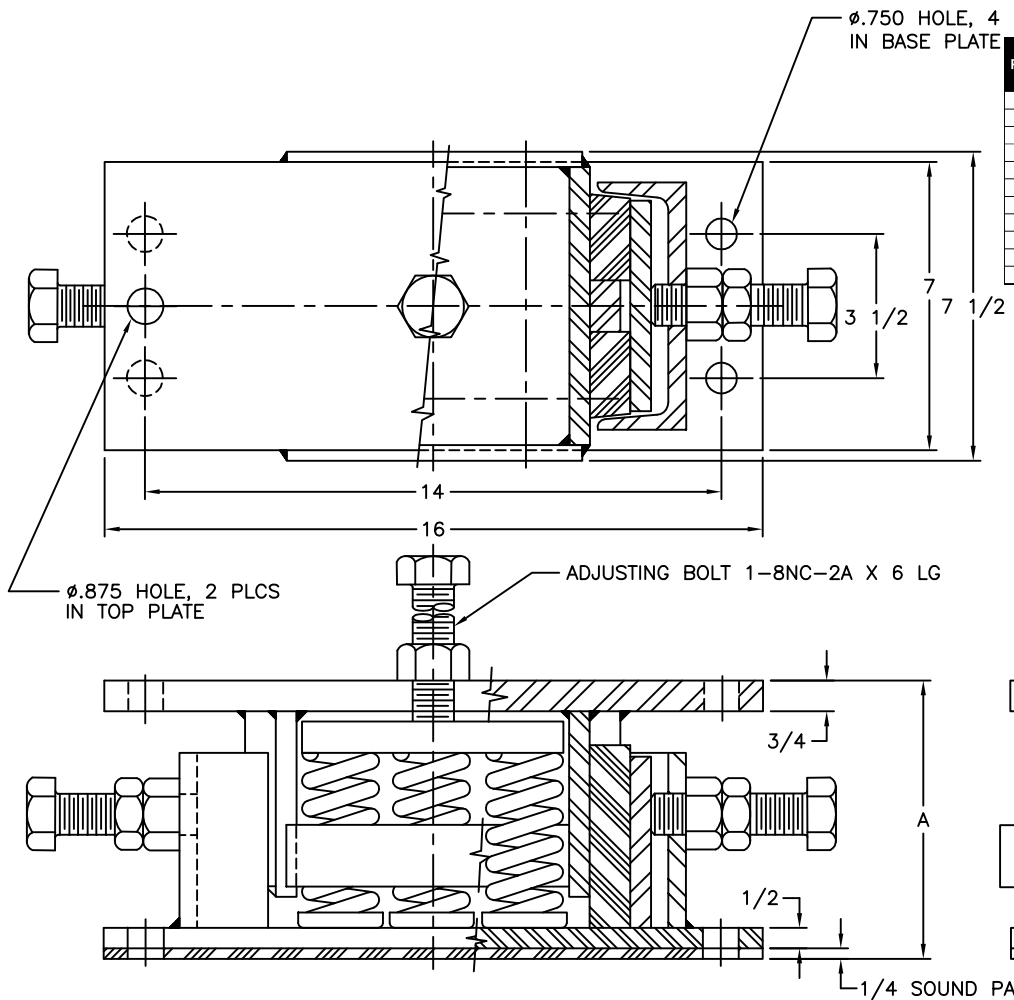


REV.	DESCRIPTION	DATE	BY



PART NUMBER	ISOLATOR MODEL	MAX. STEADY (LBS)	MAX. IMPACT (LBS)	ISOLATOR CONSTANT (LBS/IN)	MIN. FREE HEIGHT	COLOR CODE
606871-51	SKG-51	1125	▲	563	7	ORANGE
606871-52	SKG-52	1800	▲	1080		BROWN
606871-53	SKG-53	2700	▲	1710		BLACK
606871-54	SKG-54	4500	▲	3105		GREEN
606871-55	SKG-55	6300	▲	5040		BLUE
606871-56	SKG-56	10,800	▲	14850		PURPLE
606871-45	SKG-45	2925	2340	3960	6 3/4	BROWN
606871-46	SKG-46	4000	3200	7200		RED
606871-47	SKG-47	5400	4320	11025		PURPLE
606871-57	SKG-57	9900	7425	19160		BLUE
606871-68	SKG-68	11700	11025	23850		GREEN

NOTES:

- ▲ CURRENTLY UNDER ENGINEERING REVIEW.
- 2. ALL DIMENSIONS IN INCHES. INTERPRET PER ANSI Y14.
- 3. STANDARD FINISH:
 - A. ONE COAT STANDARD VMC COLOR
 - B. SPRING: POWDER COATED
 - C. HARDWARE: ELECTRO-ZINC PLATED

OTHER MATERIALS, COMPOUNDS, OR FINISHES WITH EQUAL OR SUPERIOR PROPERTIES MAY BE SUBSTITUTED AS THEY BECOME AVAILABLE.

CERTIFIED FOR:

JOB NAME: _____
 CUSTOMER : _____
 CUSTOMER P.O.: _____
 SALES ORDER: _____

MODEL SKG 1125-11700 LBS.SPRING ISOLATOR WITH ADJUSTABLE SNUBBER



THE VMC GROUP
The Power of Together
 Bloomingdale, NJ 07403
 Houston, TX 77041

SCALE:	NONE	
SHEET:		
DRAWING NO.:		REVISION